

<p><b>JET 6 2.8kW</b> 1000851 <b>JET 6 5.6kW</b> 1000850</p> 	<p><b>JET TWIN</b> 1000855</p> 	<p><b>DIMENSIONS</b></p> 
<ul style="list-style-type: none"> <li>&gt; Single (6 litre) or Twin (12 litre) options</li> <li>&gt; Pre-set recipe and volume options</li> <li>&gt; Basket safety lock during brewing</li> <li>&gt; Operator friendly and easy-to-use</li> </ul>		<ul style="list-style-type: none"> <li>&gt; Vacuum insulated urn for energy-efficiency and temperature retention</li> <li>&gt; Two power options</li> </ul>

ASSOCIATED PRODUCTS (SOLD SEPARATELY)

REQUIRED	OPTIONAL	
<p><b>JET URN</b> 1700204</p> 	<p><b>JET GRINDER</b> 1000891</p> 	<p><b>HANDS-FREE URN TAP ADAPTER</b> 2100500</p> 

**PRECISE, PROGRAMMABLE BATCH BREWER FOR HIGHER VOLUME REQUIREMENTS.**

NAME	ORDER CODE
Hands-Free Urn Tap Adapter	2100500
Jet Filter Papers - Case of 500	8000151

ACCESSORIES

BREWERS

PRODUCT INFO	PERFORMANCE SPECS	SIZE	PLUMBING & ELECTRICAL REQS		PACKAGING		
			POWER @ 230V	PLUMBING REQS	PACKED WEIGHT	PACKAGING DIMENSIONS (L x W x H mm)	QTY / PALLET
<p>Jet 6 2.8kW 1000851</p>	6L	462 x 303 x 840	2.8kW	3/4" BSP	24kg	500 x 400 x 900	6
<p>Jet 6 5.6kW 1000850</p>			5.6kW				
<p>Jet Twin 1000855</p>			6L (per urn)				

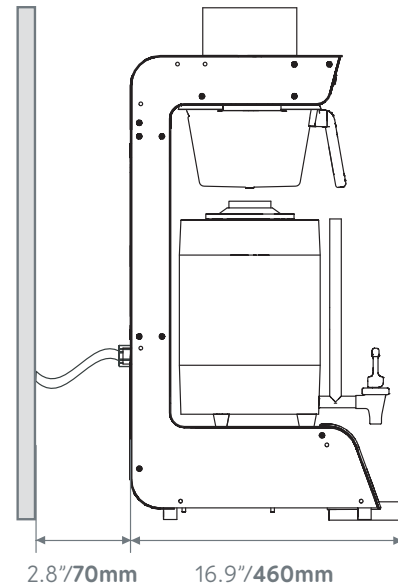
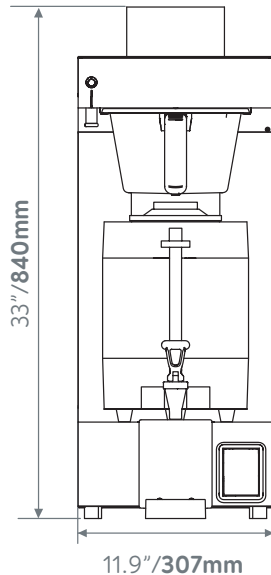
ACCESSORIES

PRODUCT INFO	SIZE	PACKAGING		
NAME ORDER CODE	DIMENSIONS (D x W x H mm)	PACKED WEIGHT	PACKAGING DIMENSIONS (L x W x H mm)	QTY / PALLET
<p>Jet Grinder 1000891</p>	370 x 188 x 559	25kg	580 x 300 x 800	12
<p>Jet Urn 1700204</p>	420 x 245 x 570	7kg	640 x 310 x 440	16

## JET 6 BATCH BREWER

JET 6 2.8kW 1000851

JET 6 5.6kW 1000850



## VENTILATION REQUIREMENTS

- > Back: 70mm/2.7"
- > Sides: 50mm/1.9"

Clearance required around machine if installed in an enclosed cabinet.

## ELECTRICAL INSTALLATION PROCEDURE

**1000851 - 2.8kW/200-230V ac**

When installing the machine, always observe the local regulations and standards. The standard machine is supplied with a UK 3-pin plug. For EU models a 2-pin CEE-7 plug will be supplied. US models will be supplied with the suitable plug. A suitable mains power supply socket should be available within easy access of the appliance so that it can be disconnected easily after install.

**1000850 - 5.6kW/200-230V ac**

When installing the machine, always observe the local regulations and standards. The 5.6kW machine is supplied with a three core electrical cord and should be connected to a 30 amp dedicated socket. For EU models a 2-pin CEE-7 plug will be supplied. US models will be supplied with the suitable plug. A suitable mains power supply socket should be available within easy access of the appliance so that it can be disconnected easily after install.

## PLUMBING INSTALLATION PROCEDURE

- > Ensure that the equipment is installed according to local plumbing & water regulations.
- > Fit a stop valve and suitable fitting on a cold water line (e.g. 3/4" x 1/2" 311 or washing machine type stop valve).
- > The boiler requires a suitable food grade inlet hose with 3/4" BSP female elbow fitting which will attach to the underside of the machine.
- > Make sure that the pre-attached sealing washer is fitted on both ends.
- > Turn on the water to flush any impurities, dust etc. from the inlet hose and water pipe. Allow several gallons through.
- > Connect right-angled tailpiece of the hose to the inlet valve of the boiler (again 3/4" BSP). Make sure the sealing washer is fitted here again.
- > Turn on water and check for leaks.

**NOTE:** Using a non-food grade hose (e.g. a washing machine hose) will usually result in off-tastes & smells in the water, and can possibly be toxic.